

Specifications

備注 (Remark)

1. 材料 (Material)

膠芯: PA9T/LCP+30% G.F UL94V-0, 顏色: 黑色

Housing: PA9T/LCP+30% G.F UL94V-0,

Color: Black

端子: 磷銅

Contact: Phosphor Bronze

2. 特性 (characteristics):

額定電流: 1.0AMP

Rating Current: 1.0AMP

接觸阻抗: 20mΩ Max

Contact Resistance: 20mΩ Max

絕緣阻抗: 1000MΩ Min

Insulating Resistance: 1000 MΩ Min

耐電壓: AC 500V/分鐘

Withstanding Voltage: AC 500V/Minute

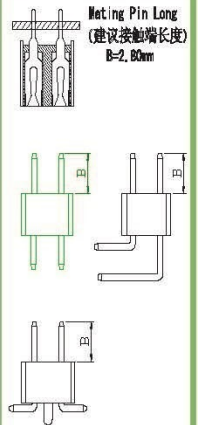
溫度範圍: -55° C to +125° C

Temperature Range: -55° C to +125° C

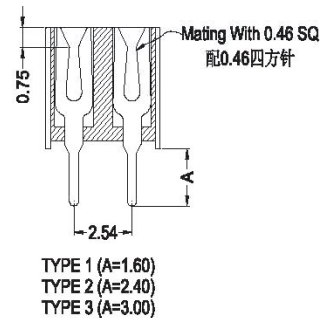
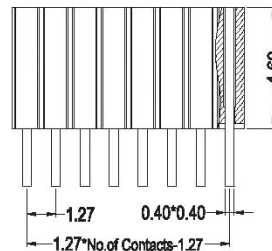
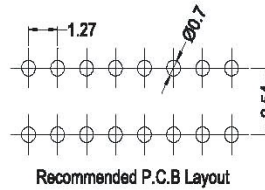
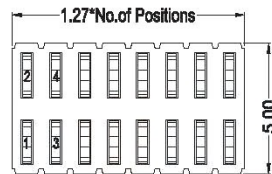


BF127X254-21XXX460X1

Mating With/配對公座:



FEMALE HEADER



BF127X254-21

XX

No. Of Pins Per Row
02~50P

XX

Contact Plating

Full Of Gold
G0=0.8u"

G9=30u"

S1=Ordinary Tin Plated

S2=Matte Tin Plated

S3=Tin-plated High-temperature

460

Packing

A: PE Bag

R: Tape & Reel

T: Tube

D: Tube+CAP

E: Tray

X

Journal Number

1: Type1 (without Post)

2: Type2 (with Post)

3: Type3

X